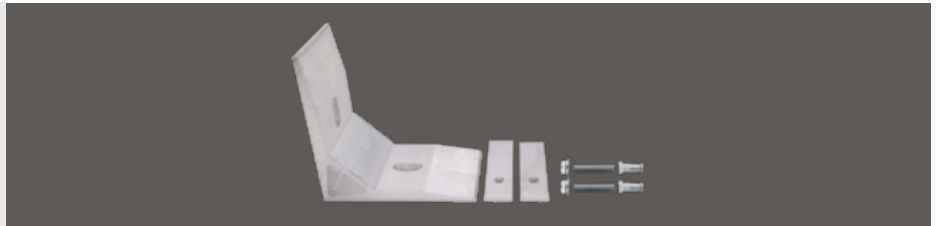
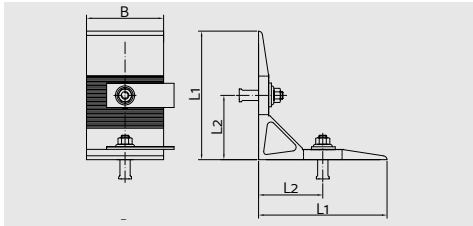




KEIL fixing devices offer a wide range of invisible solutions in connection with the undercut anchor. They allow for the attachment of reveal panels to main façade panels with minimal effort and the implementation of many other demanding assembly challenges.

REVEAL ATTACHMENT SET FA WITH ANCHOR



Images show L-bracket 100 x 100

Product information

- ▶ KEIL offers reveal angle attachments for the attachment of jamb panels to main façade panels with the undercut anchor
- ▶ These attachments have been developed from the point of view of a precise and quick assembly as well as a particularly simple handling.
- ▶ Place the jamb angle on the drilled façade panel.
- ▶ The assembly of the anchor is carried out as a pre-positioned installation with the threaded pin. The serrated washer is fixed with the ratchet nut.
- ▶ Alternatively, insert the anchor with the screw and the serrated washer through the slotted hole into the undercut hole and tighten.
- ▶ KEIL undercut anchors are monitored externally.

h_s = insertion depth [mm]	L1 = leg length [mm]	L2 = centre distance [mm]	B = leg width [mm]	t = leg thickness [mm]	packaging unit [quantity]	article no.
15	100 x 100	50	60	8.0	100	555 500 000
15	100 x 100	50	60	8.0	1	555 500 009
15	60 x 60	35	40	5.0	250	555 500 002
15	60 x 60	35	40	5.0	1	555 500 011

Further dimensions on request.

Application

- ▶ For the invisible, back-sided attachment of reveal or lintel panels.
- ▶ Natural stone
- ▶ Artificial stone
- ▶ Manufactured stone
- ▶ Ceramics
- ▶ Laminate (HPL)
- ▶ Synthetic material
- ▶ Fibre cement
- ▶ Glass ceramics

Accessories

- ▶ Depth control guide (p. 56)
- ▶ Special open-ended spanner, SW9 (p. 61)
- ▶ Allen key (p. 61)
- ▶ Screw-in tool for stud bolts (p. 61)

Design



Aluminium L-bracket incl. 2 serrated washers and 2 complete anchors KEIL BH h_s 15 M6x35

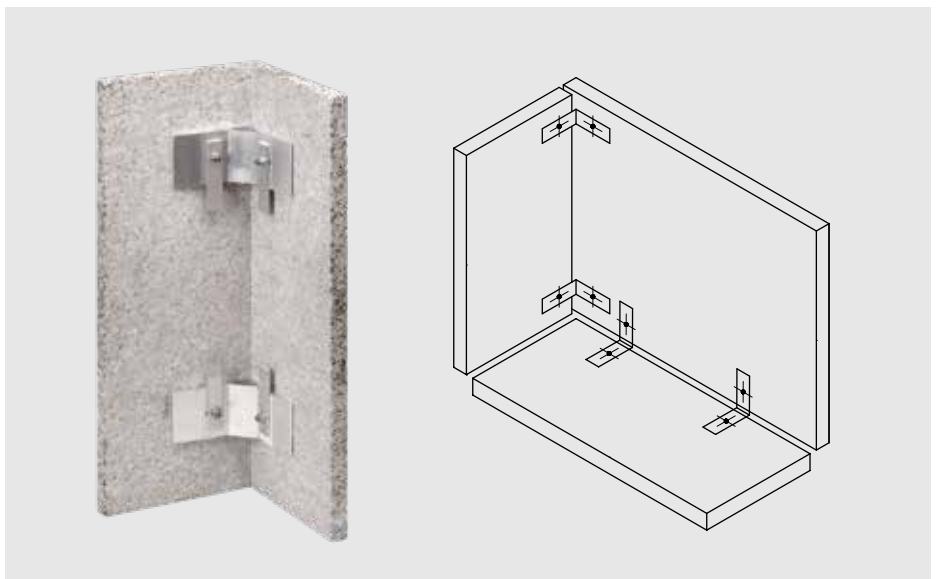
Instructions for use

- ▶ The screwed in threaded pin must fit flush with the tip of the anchor sleeve.
- ▶ Use according to approval and KEIL assembly instructions for anchors (p. 12). Please find documents with relevance to building regulations under www.keil-fixing.de/en/approvals.

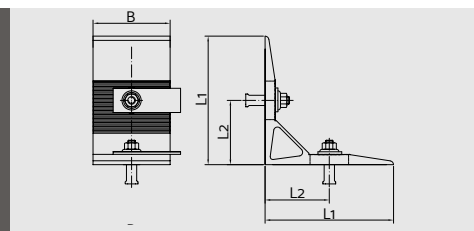
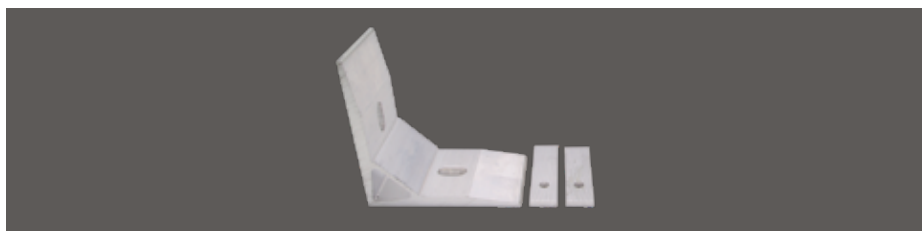
Note

- ▶ Relevant approvals and consents are available on request.
- ▶ Assembly tools (e. g. screw-in tool) on request
- ▶ Ratchet nut in quality A4.

Rathscheck office and training building, Mayen, DE © Rathscheck Schiefer



REVEAL ATTACHMENT FA WITH 2 SERRATED WASHERS



Images show L-bracket 100 x 100

L1 = leg length [mm]	L2 = centre distance [mm]	B = leg width [mm]	t = leg thickness [mm]	packaging unit [quantity]	article no.
100 x 100	50	60	8.0	100	555 500 004
100 x 100	50	60	8.0	1	555 500 014
60 x 60	35	40	5.0	250	555 500 006
60 x 60	35	40	5.0	1	555 500 016

Application

- ▶ Assembly with undercut anchors KH type BH
- ▶ For the invisible, back-sided attachment of reveal oder lintel panels.
- ▶ Natural stone
- ▶ Artificial stone
- ▶ Manufactured stone
- ▶ Ceramics
- ▶ Laminate (HPL)
- ▶ Synthetic material
- ▶ Fibre cement
- ▶ Glass ceramics

Accessories

- ▶ Undercut anchor KH BH (p. 21)
- ▶ Depth control guide (p. 56)
- ▶ Special open-ended spanner, SW9 (p. 61)
- ▶ Allen key (p. 61)
- ▶ Screw-in tool for stud bolts (p. 61)

Design



Aluminium L-bracket incl. 2 serrated washers

Instructions for use

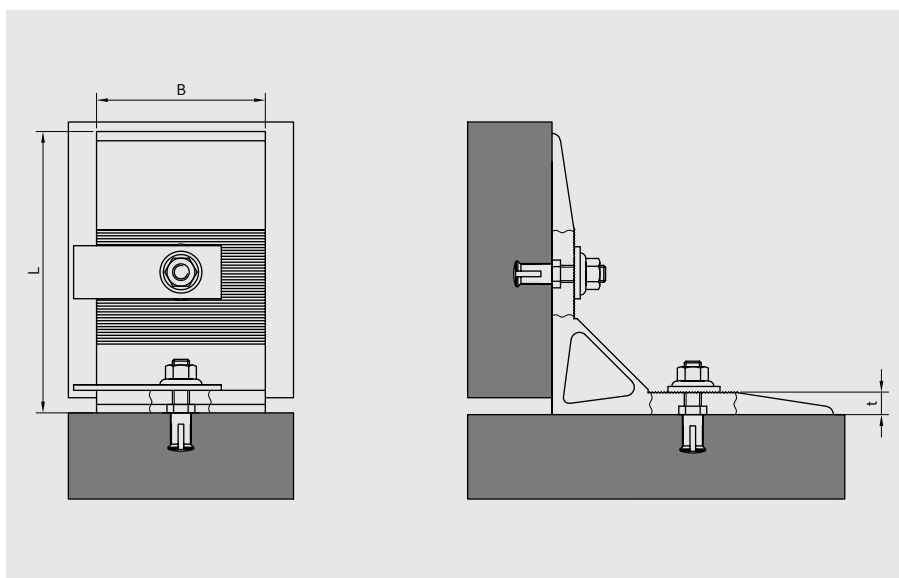
- ▶ The screwed in threaded pin must fit flush with the tip of the anchor sleeve.
- ▶ Use according to approval and KEIL assembly instructions for anchors (p. 12). Please find documents with relevance to building regulations under www.keil-fixing.de/en/approvals.

Note

- ▶ Relevant approvals and consents are available on request.
- ▶ Assembly tools (e. g. screw-in tool) on request

Product information

- ▶ KEIL offers reveal angle attachment for the attachment of jamb panels to main façade panels with the undercut anchor
- ▶ These attachments have been developed from the point of view an precise and quick assembly as well as a particularly simple handling.
- ▶ Place the jamb angle on the drilled façade panel.
- ▶ The assembly of the anchor is carried out as a pre-positioned installation with the threaded pin. The serrated washer is fixed with the ratchet nut.
- ▶ Alternatively, insert the anchor with the screw and the serrated washer through the slotted hole into the undercut hole and tighten.
- ▶ KEIL undercut anchors are monitored externally.



Rathscheck office and training building, Mayen, DE © Rathscheck Schiefer



WASH BASIN ATTACHMENT



Product information

- ▶ The KEIL wash basin attachment is used in connection with the KEIL undercut anchor KH BH for the attachment of wash basins.
- ▶ Wash basins will be fixed mechanically safe in work surfaces made of natural stone or ceramics panels.
- ▶ As soon as the panels have been provided with undercut holes, the wash basin can be screwed on and plumbed in without any setting time.
- ▶ Advantages are the fast assembly, the **high retention force** and the **immediate load-bearing capacity** of the attachment.

Version	dimensions [mm]	packaging unit [quantity]	Artikel-Nr.
clamp	50 x 20 x 2	12	570 010 002
complete set of undercut anchor and clamp	50 x 20 x 2	12	570 010 004

Application

- ▶ For the attachment of wash basins to kitchen work surfaces or bathroom cabinets.
- ▶ Assembly with undercut anchor KH BH
- ▶ Natural stone
- ▶ Artificial stone
- ▶ Ceramics

Accessories

- ▶ Depth control guide (p. 56)
- ▶ Special open-ended spanner, SW9 (p. 61)
- ▶ Allen key (S. 61)

Design



- Wash basin attachment WB 50x20 single or in set with undercut anchor KH BH $h_s = 15$, M6x40
- ▶ Clamp from stainless steel
 - ▶ Undercut anchor from stainless steel A4
 - ▶ Further insertion depths on demand.

Instructions for use

- ▶ The screwed in threaded pin must fit flush with the tip of the anchor sleeve.
- ▶ Use according to KEIL assembly instructions.

Note

- ▶ Ratchet nut in quality A4.
- ▶ KEIL undercut anchors are monitored externally.

