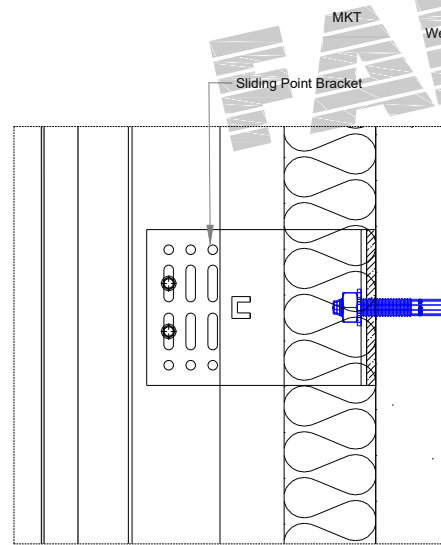
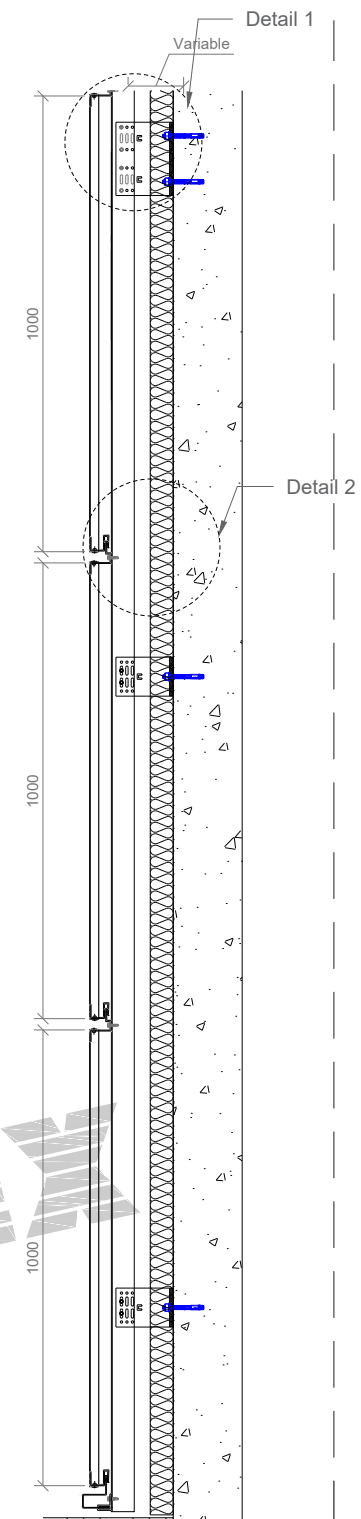


Detail 1  
SCALE 1:4

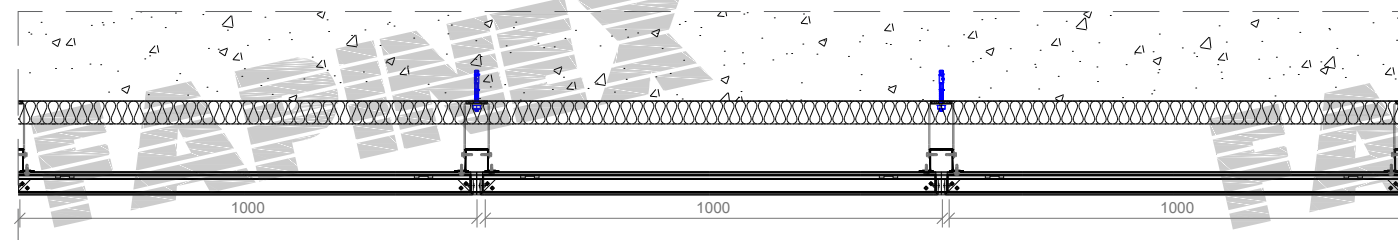


Detail 2  
SCALE 1:4



SECTION A-A  
SCALE 1:16

ELEVATION  
SCALE 1:16



SECTION B-B  
SCALE 1:16